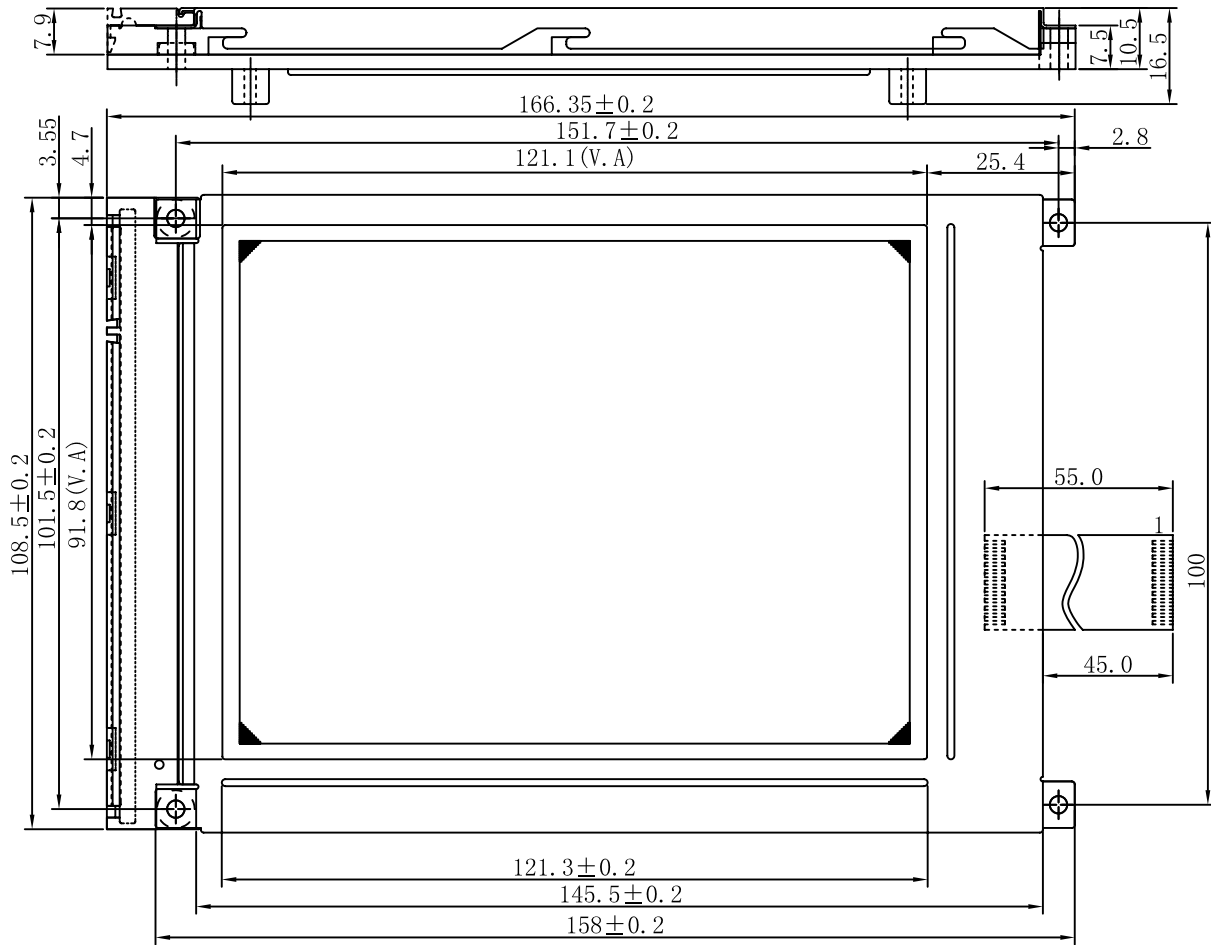


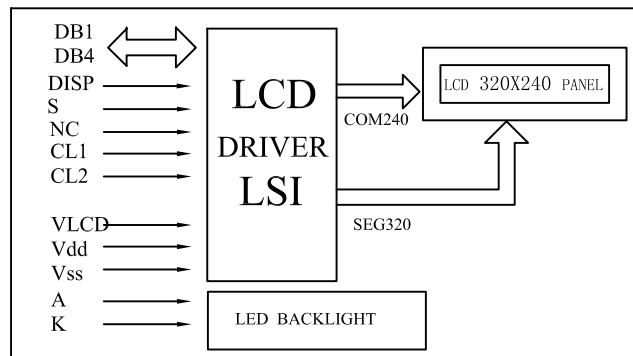
YXD-320240B

320*240 STN(BLUE)
 1/240DUTY 1/16BIAS
 Viewing Direction: 6 0' clock
 Backlight Color: white

External Dimensions



Block Diagram



Pin Configuration

1	2	3	4	5	6	7	8	9	10	11	12
S	CL1	CL2	NC	DISP	D1	D2	D3	D4	VDD	VSS	VLCD
H/L	H/L	H/L	H/L	H	DATA BUS			+5.0V	0V	+24V	

MECHANICAL DATA		
ITEM	SPECIFICATION	UNIT
Module Size(W*H*D)	166.35x108.50x16.50	mm
Viewing Area(W*H)	121.10x91.80	mm
Dot Matrix	320x240	dots
A.A(W*H)	115.17x86.37	mm
Dot Pitch(W*H)	0.36x0.36	mm
Dot Size(W*H)	0.33x0.33	mm

ABSOLUTE MAXIMUM RATINGS				
ITEM	SYMBOL	MIN	MAX	UNIT
Supply Voltage Logic	Vdd-Vss	-0.3	7.0	V
Supply Voltage Driver	Vdd-V0	-0.3	28	V
Input Voltage	Vi	Vss	Vdd	V
Operating Temperature	Ta	-0	+50	° C
Storage Temperature	Tstg	-10	+60	° C
Voltage For Backlight	VLED	0	5.0	V